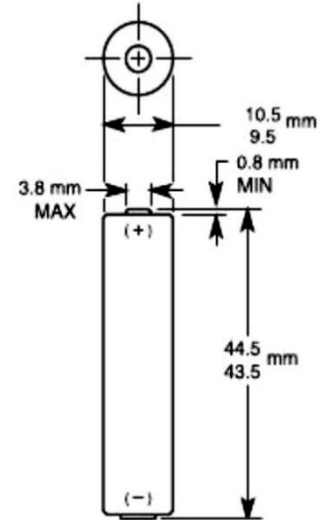




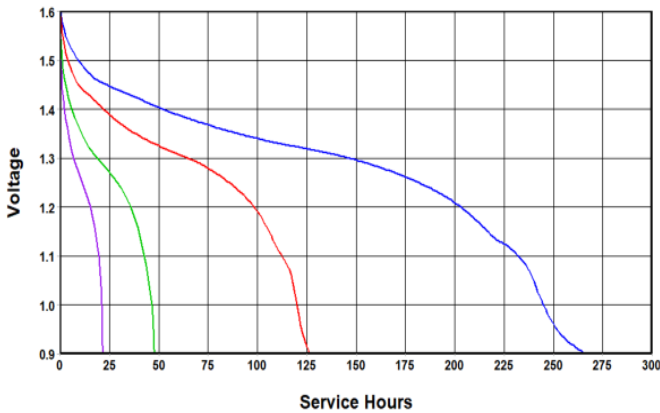
Nominal voltage	1.5 V
Impedance	156 m-ohm @ 1 kHz
Typical weight	11 g (0.4 oz)
Typical volume	3.5 cm ³ (0.2 in ³)
Terminals	Flat
Storage temperature range	5°C to 30°C (41°F to 86°F)
Operating temperature range	-20°C to 54°C (-4°F to 130°F)
Designation	ANSI: 24A IEC: LR06



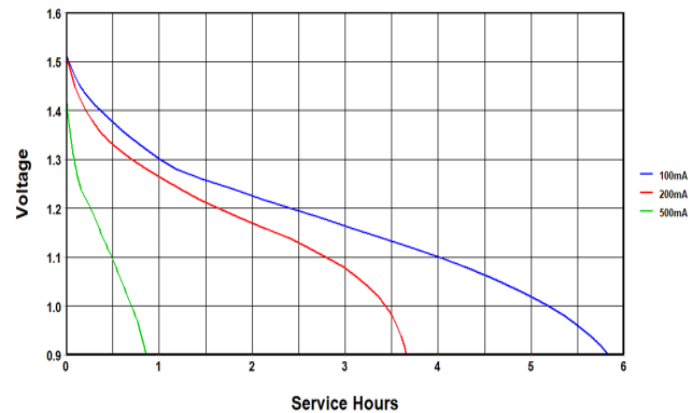
Dimensions shown are IEC standards

VIEW MORE

Coppertop AAA - Constant Current



Coppertop AAA - Constant Current

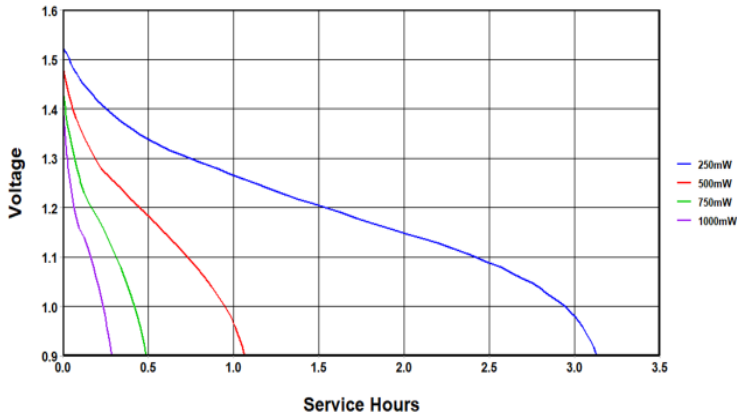


DURACELL[®]

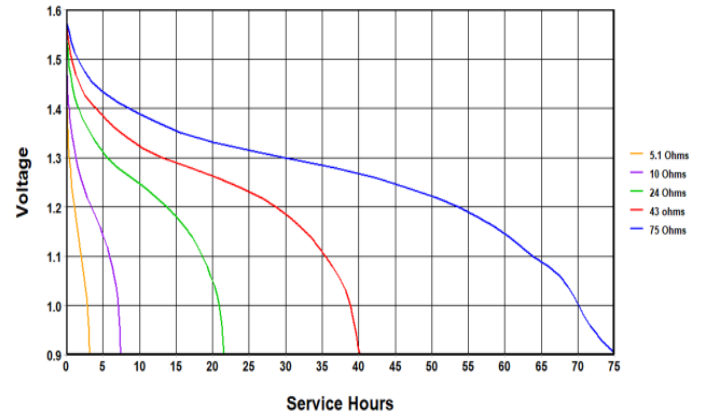
A Berkshire Hathaway Company
 Berkshire Corporate Park
 Bethel, CT. 06801 U.S.A.
 Telephone: Toll-free 1-800-544-5454
www.duracell.com

Delivered capacity is dependent on the applied load, operating temperature and cut-off voltage. Please refer to the charts and discharge data shown for examples of the energy/service life that the battery will provide for various load conditions.

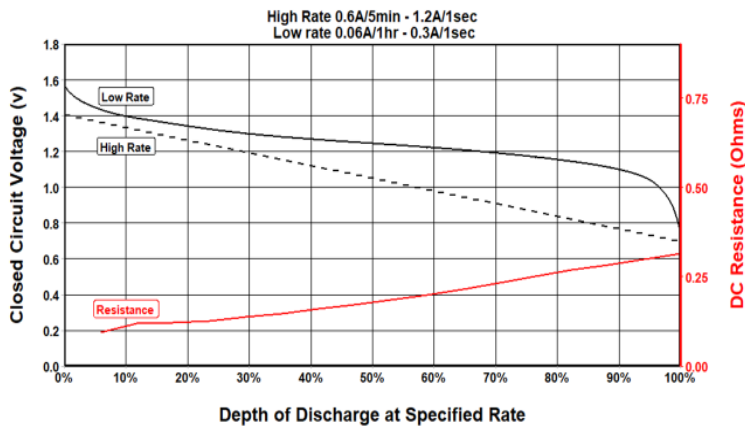
Coppertop AAA - Constant Power



Coppertop AAA - Constant Resistance



Typical Duracell AAA Coppertop Cell Impedance



DURACELL®

A Berkshire Hathaway Company
 Berkshire Corporate Park
 Bethel, CT. 06801 U.S.A.
 Telephone: Toll-free 1-800-544-5454
 www.duracell.com

Delivered capacity is dependent on the applied load, operating temperature and cut-off voltage. Please refer to the charts and discharge data shown for examples of the energy/service life that the battery will provide for various load conditions.